

ASSEMBLY INSTRUCTIONS

Milton Road Flush Mount

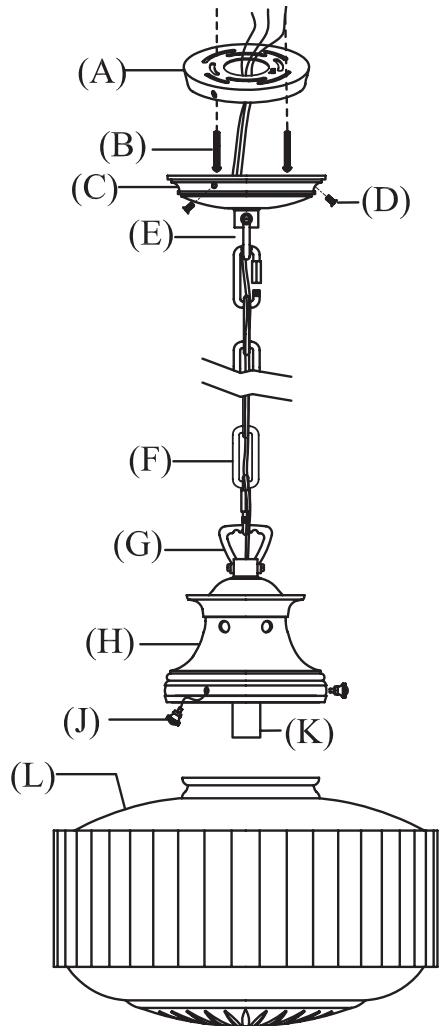
Item # TOB5150

WE RECOMMEND INSTALLATION OF THIS LIGHTING FIXTURE BE DONE BY A LICENSED ELECTRICIAN.

WARNING * SWITCH OFF THE MAIN ELECTRICAL SUPPLY FROM THE MAIN FUSE BOX/CIRCUIT BREAKER BEFORE INSTALLATION.**

INSPECT ITEM CAREFULLY BEFORE ATTEMPTING TO INSTALL. IF THERE IS ANY DAMAGE OR OBVIOUS DEFECT, DO NOT INSTALL.

ITEM MAY NOT BE RETURNED ONCE IT HAS BEEN INSTALLED.



8. Insert light bulb (not included) into the socket (K).
 9. Loosen thumbscrews (J) on shadeholder (H), attach glass shade (L) to shade holder (H) and secure with thumbscrews (J)
- NOTE: For adjustment purpose, there are three concave sections on top loop (G), if the glass shade is not balancing, change end of link of chain (F) to the next concave section.

ASSEMBLY INSTRUCTIONS

Milton Road Flush Mount

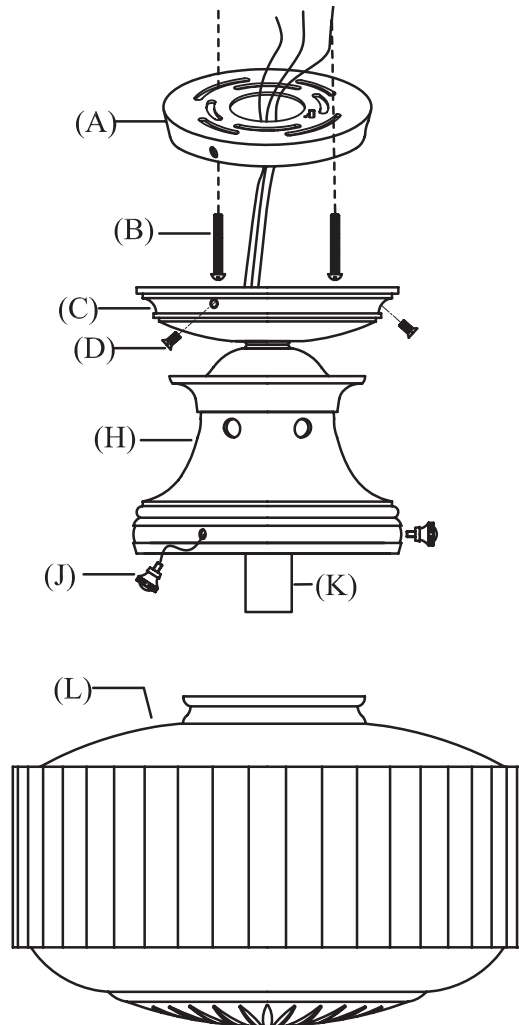
Item # TOB5150

WE RECOMMEND INSTALLATION OF THIS LIGHTING FIXTURE BE DONE BY A LICENSED ELECTRICIAN.

WARNING * SWITCH OFF THE MAIN ELECTRICAL SUPPLY FROM THE MAIN FUSE BOX/CIRCUIT BREAKER BEFORE INSTALLATION.**

INSPECT ITEM CAREFULLY BEFORE ATTEMPTING TO INSTALL. IF THERE IS ANY DAMAGE OR OBVIOUS DEFECT, DO NOT INSTALL.

ITEM MAY NOT BE RETURNED ONCE IT HAS BEEN INSTALLED.



TO USE AS A FLUSH MOUNT:

1. Remove mounting loop (E), top loop (G) and chain (F).
2. Attach mounting canopy (C) to top of shade holder (H) with hex screw.
3. Remove mounting plate (A) from canopy (C) by unscrewing the canopy screws (D).
4. Follow steps 3 – 9 from "TO USE AS A PENDANT" assembly instructions.